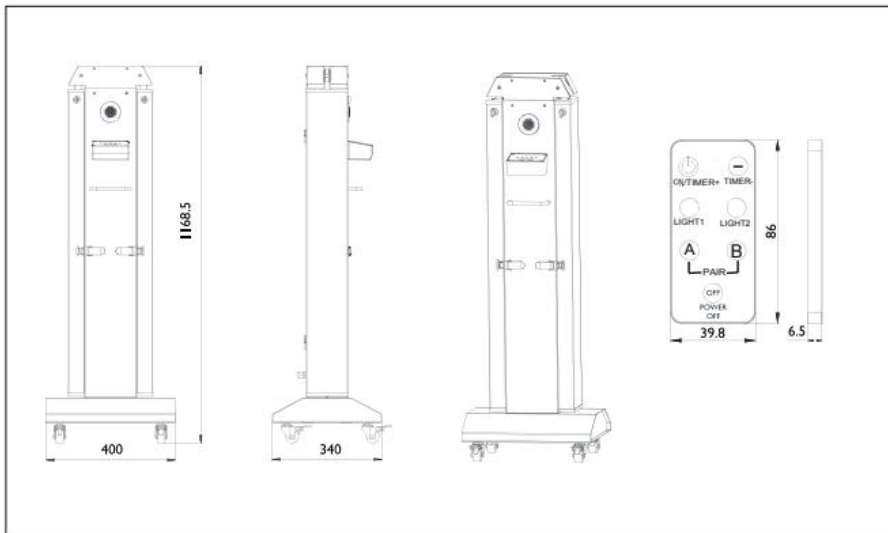


USAGE INSTRUCTION

1. Open the protection door.
1. Lift the lamp arm and adjust to 90,135,180 degrees.
2. Insert the plug and set timer.Or remote control
3. Leave the room right now within start-delay 30 seconds
4. After finishing sterilization,press 'OFF' button.
5. Adjust lamp arm to the box .
6. Close the protection door.
7. Pull out the plug.



UV Disinfection Trolley FY-30FS



OPERATING MANUAL

PRODUCT DESCRIPTION

FY-30FS

(Four Tube Stainless Steel UV Lamp Trolley)

UV Disinfection Trolley FY-30FS, has 4 pieces of 30 watts UV lamps that emit a high intensity ultraviolet light that hits every surface in the room and kills any microorganisms or pathogen including MRSA, hand foot mouth disease, colds and flu, pneumonia, molds, e.coli, salmonella and similar type bacteria.

The light penetrates and destroys the actual DNA of micro organisms.

There is no known micro organism that is immune to UV-C energy.

UV Disinfection Trolley disinfects approximately up to 60 square meters room area.

There are numerous safety features built with a 0-1440 minutes timer and motion sensor.

UV Disinfection Trolley has numerous applications not just for hospitals but can be used in schools, play areas, hotels, clinics, homes, cinemas, buildings, food manufacturing companies and offices.

It quickly and effectively provide disinfection of all surfaces and air within minutes.

UV Disinfection Trolley is laboratory tested ,used by hospitals and recommended by doctors.

TECHNICAL SPECIFICATION

1. Tube Power: 30W

2. Number of tubes: Four(4)

3. Application area: 60 m²

4. Voltage: 220V±10%, Frequency: 50HZ±10%

5. Input power: 180VA

6. UV Wavelength: 253.7nm

7. UV illumination: ≥428uW/cm²

8. Can be operated with 2 or 4 lamps by pressing Lamp 1 or Lamp 2 button

9. Lamps have side compartments for safe storage

10. Angle of the lamp arms can be adjusted from 30-180°

11. Timer can be set to desired duration starting from 15mins to 1440mins

Attention

1. Clean the room before using Disinfection trolley.

2. Carefully place the UV Disinfection trolley in the center of the room or on a spot where UV light can beam more things in the room.

3. Arrange everything found in the room to ensure they will be exposed to UV light. Place things that are touched more often closer to the system to maximize sterilization.

4. Plug in and set the timer to the desired duration. The system has a time delay of 30 seconds upon timer setting, this allows the system operator to vacate the room.

(We suggest a minimum of 30 minutes to a 30 sq.m. areas.)

5. It will generate smell after sterilization. It's perfectly natural. Please open the window to let the smell out after sterilization.

6. Wipe the lamps with dry cloth after sterilization. Carefully stow the arms in the arms door.